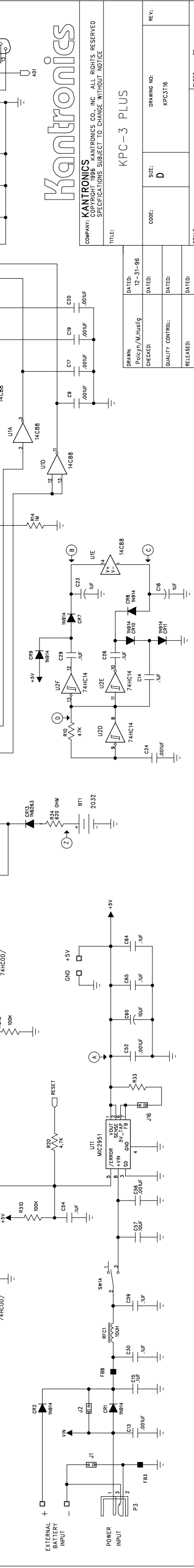
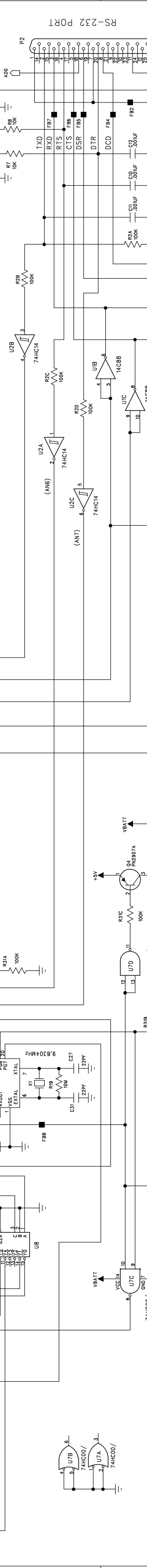
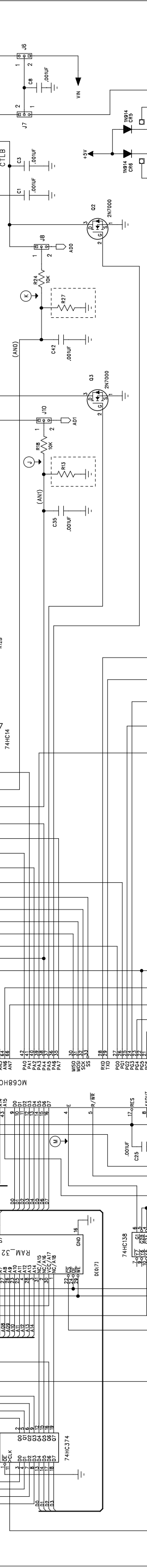
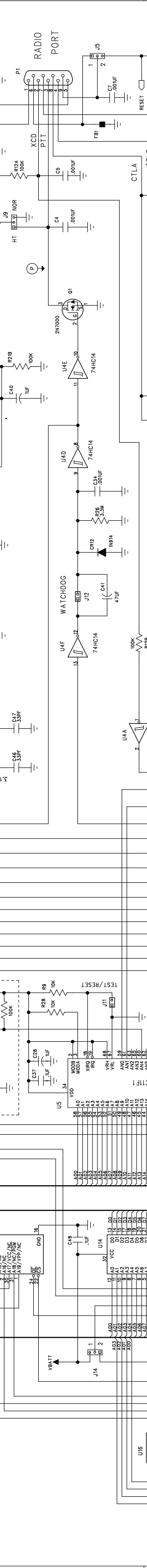
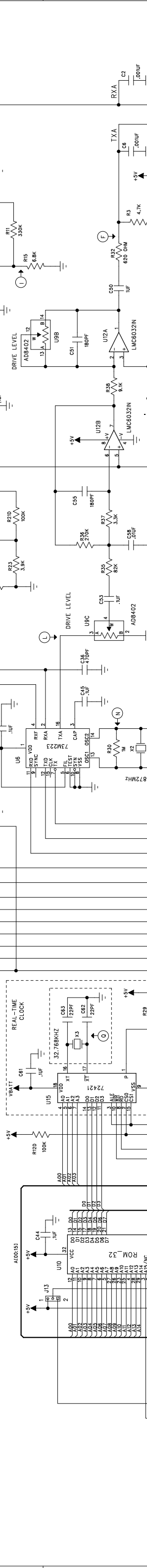
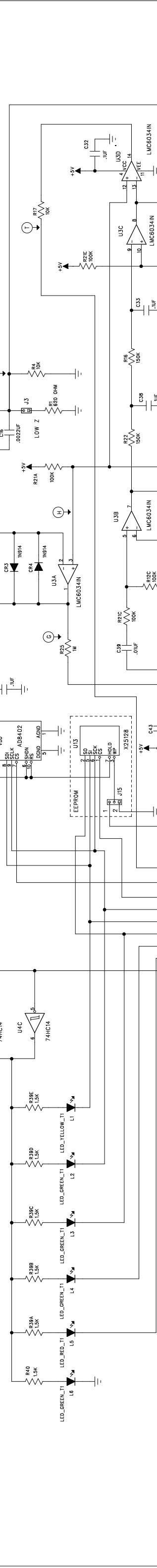


REVISION RECORD	
LTR	ECD NO.
APPROVED:	DATE:



**Kantronics**  
 COMPANY: KANTRONICS, INC. ALL RIGHTS RESERVED  
 POLICY: COPYRIGHT 1986  
 SPECIFICATIONS SUBJECT TO CHANGE WITHOUT NOTICE

TITLE: KPC-3 PLUS	
DRAWN: Polcyn/M.Huslig	DATE: 12-31-96
CHECKED:	DATE:
QUALITY CONTROL:	DATE:
RELEASED:	DATE:
CODE: D	DRAWING NO: KPC3T16
REV: REV:	SCALE: OF